



INTERNAL RING LAYOUT SHEET

763 East Commerce Dr. St. George, UT (435) 673-7500
4000 Drane Field Rd. Lakeland, FL (863) 647-5643

Company Name _____

Name _____

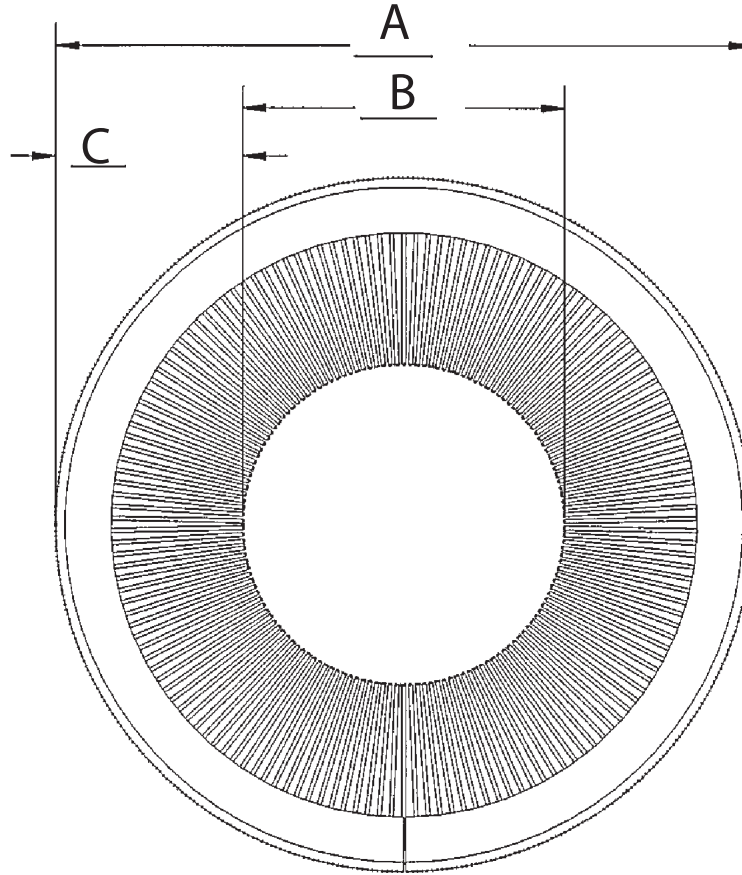
Address _____

Email _____

Quantity _____

Telephone No. _____

Application _____



A.) Outside Diameter _____

B.) Inside Diameter _____

C.) Overall Trim _____