

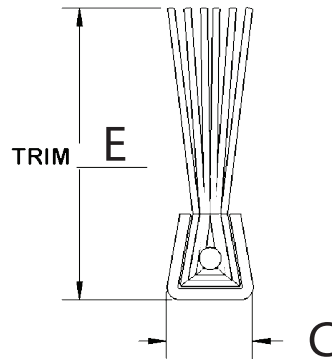
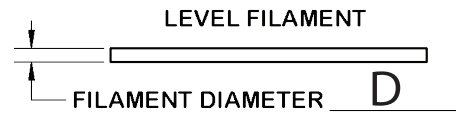
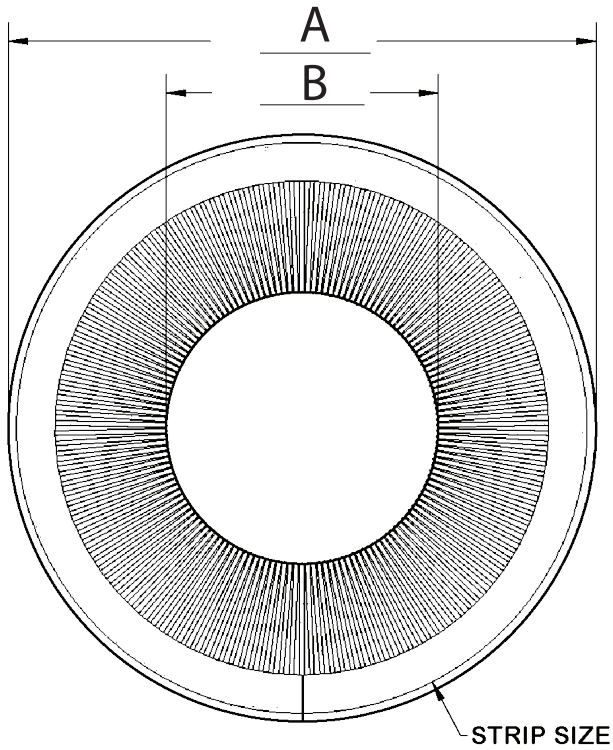


INTERNAL RING BRUSH LAYOUT SHEET

763 East Commerce Dr. St. George, UT (435) 673-7500
 4000 Drane Field Rd. Lakeland, FL (863) 647-5643

Company Name _____
 Address _____
 Telephone No. _____

Name _____
 Email _____
 Quantity _____
 Application _____



- A.) Outside Diameter _____
- B.) Inside Diameter _____
- C.) Strip Size _____
- D.) Filament Diameter _____
- E.) Trim _____