



STRIP BRUSH LAYOUT SHEET

763 East Commerce Dr. St. George, UT (435) 673-7500
 4000 Drane Field Rd. Lakeland, FL (863) 647-5643

Company Name _____

Email _____

Address _____

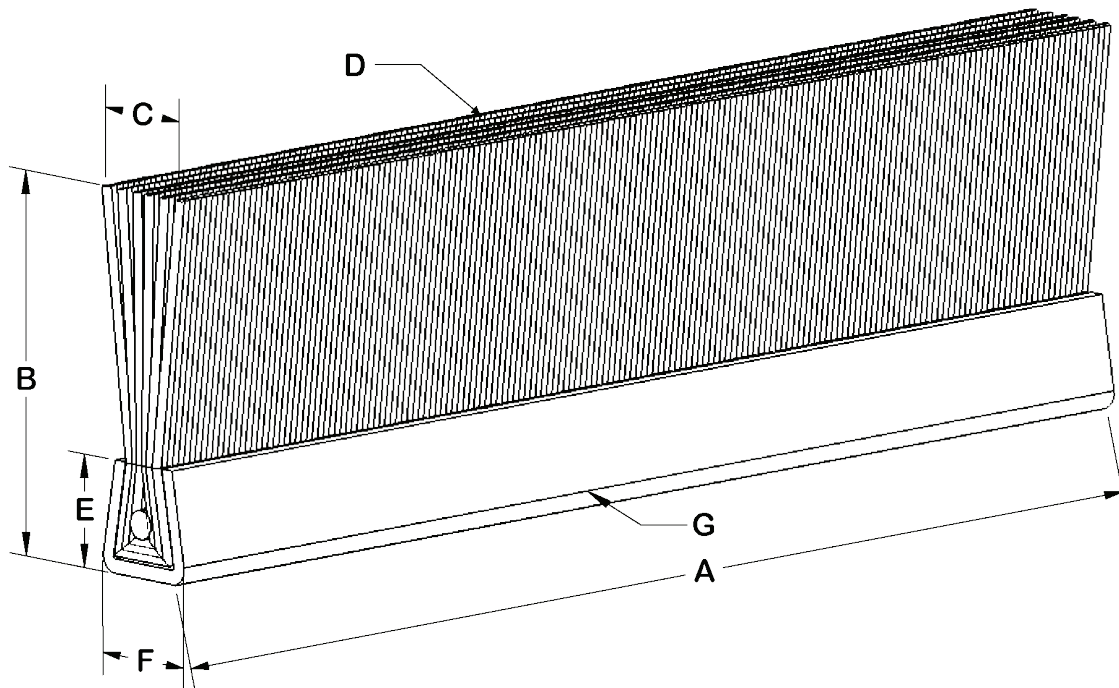
Application _____

Telephone No. _____

Sample/Drawing Enclosed

Name _____

Quantity per Order _____



Please provide all dimensions in inches. (Indicate any critical tolerances)

NOTE: If brush is to be mounted in holder, please provide sample to ensure proper fit.

A.) Brush Length _____

E.) Backing Height* _____

B.) Brush Overall Trim _____

F.) Backing Width* _____

C.) Brush Face Width (if applicable) _____

G.) Backing Material* _____

D.) Bristle:

(Steel, Aluminum, Stainless Steel, Etc.)

Type _____

H.) Backing Ends Deburred: Yes No

(polypropylene, nylon, wire, etc.)

I.) Additional Information _____

Bristle Diameter _____

Color _____ Crimped Level

*Refer to backing data reverse side for standards.

Channel No.	Unformed Strip Width	Approximate Formed Dimensions	
		Width	Height
12	1 1/2"	35/64"	9/16"
10	1 1/4"	7/16"	15/32"
8	1"	5/16"	3/8"
7	7/8"	5/16"	5/16"
5	5/8"	7/32"	1/4"
4	1/2"	3/16"	3/16"
3	3/8"	5/32"	5/32"