



CUP BRUSH LAYOUT SHEET

763 East Commerce Dr. St. George, UT (435) 673-7500

4000 Drane Field Rd. Lakeland, FL (863) 647-5643

Company Name _____

Name _____

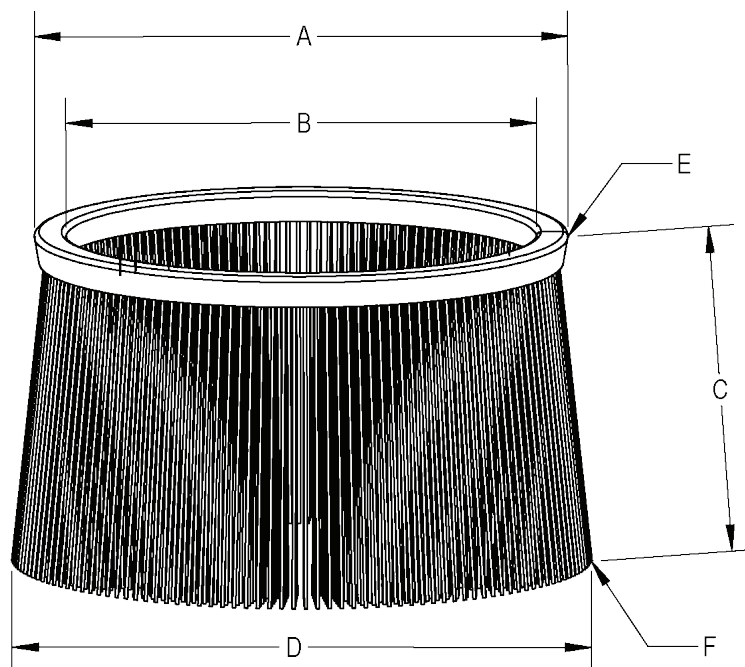
Address _____

Email _____

Telephone No. _____

Application _____

Quantity _____



A.) OVERALL STRIP DIAMETER _____

F.) BRISTLE: _____

B.) INSIDE STRIP DIAMETER _____

TYPE _____

C.) OVERALL BRUSH TRIM _____

BRISTLE DIAMETER _____

D.) BRUSH FACE O.D _____

COLOR _____

E.) STRIP BACKING SIZE _____

CRIMPED LEVEL

COMMENTS _____

G.) BRUSH STRIP DENSITY:

LIGHT MEDIUM HEAVY EX. HEAVY